

**TECHNICAL DATA 570124401**

LAMP INFO	
Description:	FOCO OUVI, regl. 3*GU10 (medalla)
Mark:	10003 SL Spot Light
Reference:	570124401
Range:	57010 OUVI
Code EAN:	8421797701246
Measures (mm):	0450-0040-0114
Weight (kg):	0.50

Lampholder/Watts:	3xGU10 LED max.10W	CCT:	-	Switch:	No
Bulb included:	No	Lm:	-	USB_C:	No
Class:	Class I	Effi LS:	-	Shade:	No
IP:	20	CRI:	-	Dimmable:	No
Driver inc.:	No	Lamp Power:	-		
Voltage/Frequence:	230V - 50Hz	Applied Standard:	CE / LVD		

PACKAGING DETAILS			
	Individual Box	Outer Box	Master Box
Type:	MDC - BROWN PRINTED	MDC - MARRON / BROWN	
Units:	1.00	8.00	0.00
Measures:	0115-0460-0050	0250-0480-0225	_____
Gross Weight (kg):	0.62	5.30	-
CTN 40°:	16.592,00		

**OBSERVATIONS**

---



---



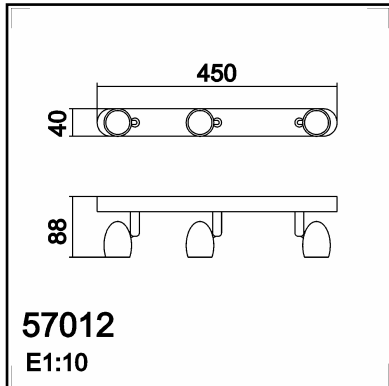
---



---



---



**TECHNICAL DATA 570123501**

LAMP INFO	
Description:	FOCO OUVI, regl. 3*GU10 (cromo mate)
Mark:	10003 SL Spot Light
Reference:	570123501
Range:	57010 OUVI
Code EAN:	8421797701222
Measures (mm):	0450-0040-0114
Weight (kg):	0.50

Lampholder/Watts:	3xGU10 LED max.10W	CCT:	-	Switch:	No
Bulb included:	No	Lm:	-	USB_C:	No
Class:	Class I	Effi LS:	-	Shade:	No
IP:	20	CRI:	-	Dimmable:	No
Driver inc.:	No	Lamp Power:	-		
Voltage/Frequence:	230V - 50Hz	Applied Standard:	CE / LVD		

**PACKAGING DETAILS**

	Individual Box	Outer Box	Master Box
Type:	MDC - BROWN PRINTED	MDC - MARRON / BROWN	
Units:	1.00	8.00	0.00
Measures:	0115-0460-0050	0250-0480-0225	_____
Gross Weight (kg):	0.62	5.30	-
CTN 40°:	16.592,00		

**OBSERVATIONS**

---



---



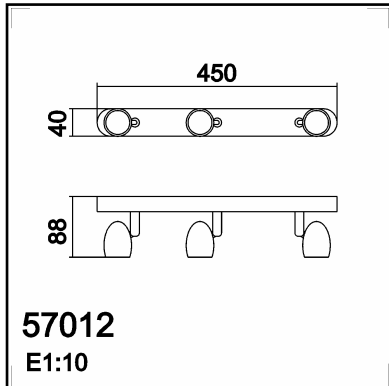
---



---



---



**TECHNICAL DATA**    570128001

**LAMP INFO**

<b>Description:</b>	FOCO OUVI, regl. 3*GU10 (blanco)		
<b>Mark:</b>	10003	SL Spot Light	
<b>Reference:</b>	570128001		
<b>Range:</b>	57010	OUVI	
<b>Code EAN:</b>	8421797701284		
<b>Measures (mm):</b>	0450-0040-0114		
<b>Weight (kg):</b>	0.50		

<b>Lampholder/Watts:</b>	3xGU10 LED max.10W	<b>CCT:</b>	-	<b>Switch:</b>	No
<b>Bulb included:</b>	No	<b>Lm:</b>	-	<b>USB_C:</b>	No
<b>Class:</b>	Class I	<b>Effi LS:</b>	-	<b>Shade:</b>	No
<b>IP:</b>	20	<b>CRI:</b>	-	<b>Dimmable:</b>	No
<b>Driver inc.:</b>	No	<b>Lamp Power:</b>	-		
<b>Voltage/Frequence:</b>	230V - 50Hz	<b>Applied Standard:</b>	CE / LVD		

**PACKAGING DETAILS**

	Individual Box	Outer Box	Master Box
<b>Type:</b>	MDC - BROWN PRINTED	MDC - MARRON / BROWN	
<b>Units:</b>	1.00	8.00	0.00
<b>Measures:</b>	0115-0460-0050	0250-0480-0225	_____
<b>Gross Weight (kg):</b>	0.62	5.30	-
<b>CTN 40°:</b>	16.592,00		

**OBSERVATIONS**

---



---



---



---



---