

TECHNICAL DATA 568193044

LAMP INFO

Description:	LAMP MESA GLOBE, 8*LED 0,4W (cromo/plata)+bomb
Mark:	20001 TL Table Lamp
Reference:	568193044
Range:	56818 GLOBE
Code EAN:	8421797681937
Measures (mm):	0100-0520-0100
Weight (kg):	0.65

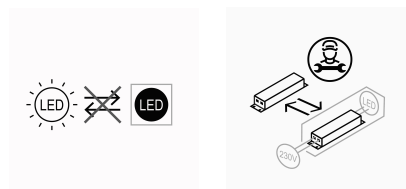
Lampholder/Watts:	LED 3,2W	CCT:	3000K	Switch:	Cord switch
Bulb included:	Yes	Lm:	240	USB_C:	No
Class:	Class III	Effi LS:	G	Shade:	No
IP:	20	CRI:	80,00	Dimmable:	No
Driver inc.:	Yes	Lamp Power:	3,20W		
Voltage/Frequence:	DC 13,2V - 280mA	Applied Standard:	CE / LVD		

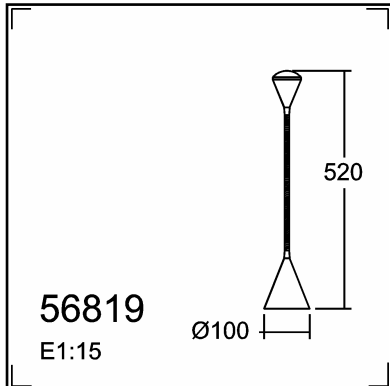
PACKAGING DETAILS

	Individual Box	Outer Box	Master Box
Type:	MDC - COLORS	MDC - MARRON / BROWN (c)	
Units:	1.00	6.00	0.00
Measures:	0110-0110-0225	0345-0240-0245	_____
Gross Weight (kg):	0.80	4.80	-
CTN 40°:	16.563,00		

OBSERVATIONS

LED 240lm





TECHNICAL DATA 568193045

LAMP INFO	
Description:	LAMP MESA GLOBE, 8*LED 0,4W (cromo/blanca)
Mark:	20001 TL Table Lamp
Reference:	568193045
Range:	56818 GLOBE
Code EAN:	8421797681944
Measures (mm):	0100-0520-0100
Weight (kg):	0.65

Lampholder/Watts:	LED 3,2W	CCT:	3000K	Switch:	Cord switch
Bulb included:	Yes	Lm:	240	USB_C:	No
Class:	Class III	Effi LS:	G	Shade:	No
IP:	20	CRI:	80,00	Dimmable:	No
Driver inc.:	Yes	Lamp Power:	3,20W		
Voltage/Frequence:	DC 13,2V - 280mA	Applied Standard:	CE / LVD		

PACKAGING DETAILS

	Individual Box	Outer Box	Master Box
Type:	MDC - COLORS	MDC - MARRON / BROWN	
Units:	1.00	6.00	0.00
Measures:	0110-0110-0225	0345-0240-0245	_____
Gross Weight (kg):	0.80	4.80	-
CTN 40°:	16.563,00		

OBSERVATIONS

LED 240lm

