

**TECHNICAL DATA 566003534**

**LAMP INFO**

<b>Description:</b>	L. PIE HAL. SLIVA SINGLE, R7s (cromo cep.) +bomb
<b>Mark:</b>	20000 FL Floor Lamp
<b>Reference:</b>	566003534
<b>Range:</b>	56388 SLIVA
<b>Code EAN:</b>	8421797660055
<b>Measures (mm):</b>	0280-1845-0280
<b>Weight (kg):</b>	6.40

<b>Lampholder/Watts:</b>	R7s LED max. 40W	<b>CCT:</b>	-	<b>Switch:</b>	Push-button
<b>Bulb included:</b>	No	<b>Lm:</b>	-	<b>USB_C:</b>	No
<b>Class:</b>	Class I	<b>Effi LS:</b>	-	<b>Shade:</b>	No
<b>IP:</b>	20	<b>CRI:</b>	-	<b>Dimmable:</b>	Progressive 0-100% dimmer included
<b>Driver inc.:</b>	No	<b>Lamp Power:</b>	-		
<b>Voltage/Frequence:</b>	230V - 50Hz	<b>Applied Standard:</b>	CE / LVD		

**PACKAGING DETAILS**

	Individual Box	Outer Box	Master Box
<b>Type:</b>	MDC - BROWN PRINTED		
<b>Units:</b>	1.00	0.00	0.00
<b>Measures:</b>	1070-0315-0315	_____	_____
<b>Gross Weight (kg):</b>	8.00	-	-
<b>CTN 40':</b>	527,00		

**OBSERVATIONS**

---



---



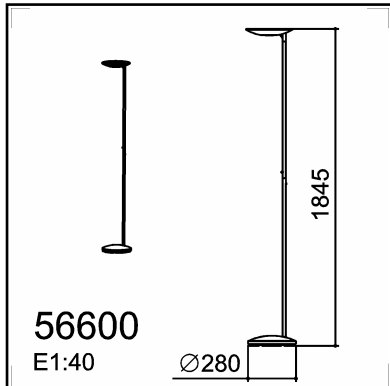
---



---



---



**TECHNICAL DATA 566003025**

**LAMP INFO**

<b>Description:</b>	L. PIE HAL. SLIVA SINGLE, R7s (cromo) +bomb
<b>Mark:</b>	20000 FL Floor Lamp
<b>Reference:</b>	566003025
<b>Range:</b>	56388 SLIVA
<b>Code EAN:</b>	8421797660062
<b>Measures (mm):</b>	0280-1845-0280
<b>Weight (kg):</b>	6.40

<b>Lampholder/Watts:</b>	R7s LED max. 40W	<b>CCT:</b>	-	<b>Switch:</b>	Push-button
<b>Bulb included:</b>	No	<b>Lm:</b>	-	<b>USB_C:</b>	No
<b>Class:</b>	Class I	<b>Effi LS:</b>	-	<b>Shade:</b>	No
<b>IP:</b>	20	<b>CRI:</b>	-	<b>Dimmable:</b>	Progressive 0-100% dimmer included
<b>Driver inc.:</b>	No	<b>Lamp Power:</b>	-		
<b>Voltage/Frequence:</b>	230V - 50Hz	<b>Applied Standard:</b>	CE / LVD		

**PACKAGING DETAILS**

	Individual Box	Outer Box	Master Box
<b>Type:</b>	MDC - BROWN PRINTED		
<b>Units:</b>	1.00	0.00	0.00
<b>Measures:</b>	1070-0315-0315	_____	_____
<b>Gross Weight (kg):</b>	8.00	-	-
<b>CTN 40':</b>	527,00		

**OBSERVATIONS**

---



---



---



---



---