

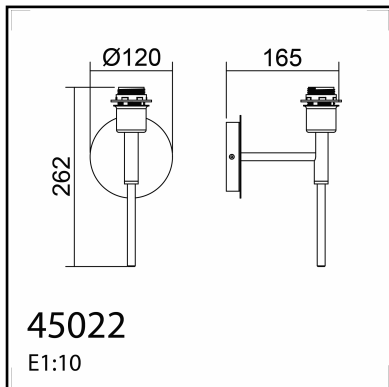
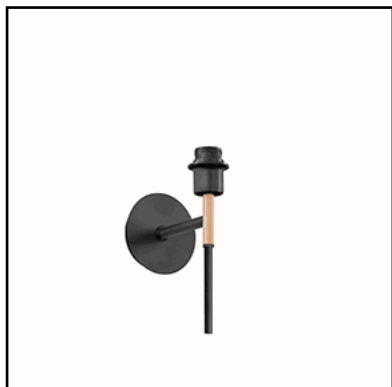
TECHNICAL DATA 450226101

LAMP INFO	
Description:	WL JULIETTE W laton mate+nogal 1xE27
Mark:	10002 WL Wall Lamp
Reference:	450226101
Range:	58060 JULIETTE
Code EAN:	8421797502294
Measures (mm):	0120-0120-0165
Weight (kg):	0.50

Lampholder/Watts:	E27 LED max.20W	CCT:	-	Switch:	No
Bulb included:	No	Lm:	-	USB_C:	No
Class:	Class II	Effi LS:	-	Shade:	No
IP:	20	CRI:	-	Dimmable:	No
Driver inc.:	No	Lamp Power:	-		
Voltage/Frequence:	230V - 50Hz	Applied Standard:	CE / LVD		

PACKAGING DETAILS			
	Individual Box	Outer Box	Master Box
Type:	MDC - BROWN PRINTED	MDC - MARRON / BROWN	
Units:	1.00	4.00	0.00
Measures:	0195-0150-0300	0320-0320-0410	_____
Gross Weight (kg):	0.70	3.30	-
CTN 40':	5.335,00		

OBSERVATIONS



TECHNICAL DATA 450229101

LAMP INFO	
Description:	WL JULIETTE W negro + natural 1xE27
Mark:	10002 WL Wall Lamp
Reference:	450229101
Range:	58060 JULIETTE
Code EAN:	8421797502287
Measures (mm):	0120-0120-0165
Weight (kg):	0.50

Lampholder/Watts:	E27 LED max.20W	CCT:	-	Switch:	No
Bulb included:	No	Lm:	-	USB_C:	No
Class:	Class II	Effi LS:	-	Shade:	No
IP:	20	CRI:	-	Dimmable:	No
Driver inc.:	No	Lamp Power:	-		
Voltage/Frequence:	230V - 50Hz	Applied Standard:	CE / LVD		

PACKAGING DETAILS

	Individual Box	Outer Box	Master Box
Type:	MDC - BROWN PRINTED	MDC - MARRON / BROWN	
Units:	1.00	4.00	0.00
Measures:	0195-0150-0300	0320-0320-0410	_____
Gross Weight (kg):	0.70	3.30	-
CTN 40':	5.335,00		

OBSERVATIONS
