

**TECHNICAL DATA 450216101**

**LAMP INFO**

<b>Description:</b>	TL JULIETTE W laton mate+nogal 1xE27
<b>Mark:</b>	20001 TL Table Lamp
<b>Reference:</b>	450216101
<b>Range:</b>	58060 JULIETTE
<b>Code EAN:</b>	8421797502164
<b>Measures (mm):</b>	0160-0160-0362
<b>Weight (kg):</b>	1.10

<b>Lampholder/Watts:</b>	E27 LED max.20W	<b>CCT:</b>	-	<b>Switch:</b>	Cord switch
<b>Bulb included:</b>	No	<b>Lm:</b>	-	<b>USB_C:</b>	No
<b>Class:</b>	Class II	<b>Effi LS:</b>	-	<b>Shade:</b>	No
<b>IP:</b>	20	<b>CRI:</b>	-	<b>Dimmable:</b>	No
<b>Driver inc.:</b>	No	<b>Lamp Power:</b>	-		
<b>Voltage/Frequence:</b>	230V - 50Hz	<b>Applied Standard:</b>	CE / LVD		

**PACKAGING DETAILS**

	Individual Box	Outer Box	Master Box
<b>Type:</b>	MDC - BROWN PRINTED	MDC - MARRON / BROWN	
<b>Units:</b>	1.00	4.00	0.00
<b>Measures:</b>	0200-0200-0395	0420-0420-0415	_____
<b>Gross Weight (kg):</b>	1.50	6.60	-
<b>CTN 40':</b>	3.059,00		

**OBSERVATIONS**

---



---



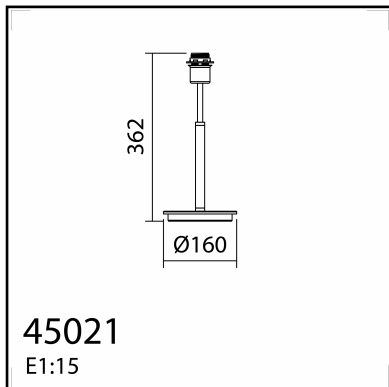
---



---



---



**TECHNICAL DATA 450219101**

LAMP INFO	
Description:	TL JULIETTE W negro + natural 1xE27
Mark:	20001 TL Table Lamp
Reference:	450219101
Range:	58060 JULIETTE
Code EAN:	8421797502195
Measures (mm):	0160-0160-0362
Weight (kg):	1.10

Lampholder/Watts:	E27 LED max.20W	CCT:	-	Switch:	Cord switch
Bulb included:	No	Lm:	-	USB_C:	No
Class:	Class II	Effi LS:	-	Shade:	No
IP:	20	CRI:	-	Dimmable:	No
Driver inc.:	No	Lamp Power:	-		
Voltage/Frequence:	230V - 50Hz	Applied Standard:	CE / LVD		

**PACKAGING DETAILS**

	Individual Box	Outer Box	Master Box
Type:	MDC - BROWN PRINTED	MDC - MARRON / BROWN	
Units:	1.00	4.00	0.00
Measures:	0200-0200-0395	0420-0420-0415	_____
Gross Weight (kg):	1.50	6.60	-
CTN 40':	3.059,00		

**OBSERVATIONS**

---



---



---



---



---