

TECHNICAL DATA 450018101

LAMP INFO

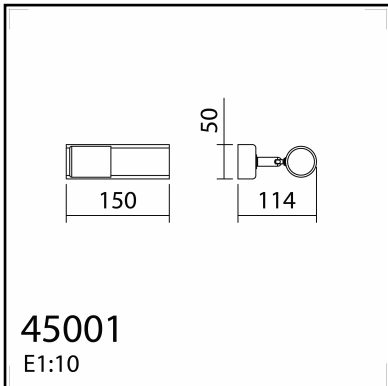
Description:	SL ETNIA B1 blanco mate E27, madera pino natural		
Mark:	10003	SL Spot Light	
Reference:	450018101		
Range:	45001	ETNIA	
Code EAN:	8421797500184		
Measures (mm):	0150-0114-0050		
Weight (kg):	0.20		

Lampholder/Watts:	E27 LED max.20W	CCT:	-	Switch:	No
Bulb included:	No	Lm:	-	USB_C:	No
Class:	Class II	Effi LS:	-	Shade:	No
IP:	20	CRI:	-	Dimmable:	No
Driver inc.:	No	Lamp Power:	-		
Voltage/Frequence:	230V - 50Hz	Applied Standard:	CE / LVD		

PACKAGING DETAILS

	Individual Box	Outer Box	Master Box
Type:	MDC - BROWN PRINTED	MDC - MARRON / BROWN	
Units:	1.00	12.00	0.00
Measures:	0120-0060-0155	0260-0205-0330	
Gross Weight (kg):	0.24	2.90	-
CTN 40':	38.205,00		

OBSERVATIONS



TECHNICAL DATA 450019101

LAMP INFO

Description:	SL ETNIA B1 negro mate E27, madera pino natural		
Mark:	10003	SL Spot Light	
Reference:	450019101		
Range:	45001	ETNIA	
Code EAN:	8421797500191		
Measures (mm):	0150-0114-0050		
Weight (kg):	0.20		

Lampholder/Watts:	E27 LED max.20W	CCT:	-	Switch:	No
Bulb included:	No	Lm:	-	USB_C:	No
Class:	Class II	Effi LS:	-	Shade:	No
IP:	20	CRI:	-	Dimmable:	No
Driver inc.:	No	Lamp Power:	-		
Voltage/Frequence:	230V - 50Hz	Applied Standard:	CE / LVD		

PACKAGING DETAILS

	Individual Box	Outer Box	Master Box
Type:	MDC - BROWN PRINTED	MDC - MARRON / BROWN	
Units:	1.00	12.00	0.00
Measures:	0120-0060-0155	0260-0205-0330	
Gross Weight (kg):	0.24	2.90	-
CTN 40':	38.205,00		

OBSERVATIONS
