

**TECHNICAL DATA N°** 2.678 - 574029109

**LAMP INFO**

<b>Description:</b>	LAMP MESA FINESS, LED 6W(negro mate)		
<b>Mark:</b>	20001 TL Table Lamp		
<b>Reference:</b>	574029109		
<b>Provisional Ref.:</b>			
<b>Range:</b>	57400 FINESS		
<b>Code EAN:</b>	8421797740283		
<b>Measures (mm):</b>	0364-0150-0428	<b>Weight (kg):</b>	1.98

**TECHNICAL INFO**

<b>Lampholder/Watts:</b>	LED 6W	<b>Switch:</b>	Touch	<b>Transformer:</b>	Yes
<b>Bulb included:</b>	Yes - COB	<b>Dimmer:</b>	Yes	<b>Voltage/Frequence:</b>	DC 12V - 0.5A
<b>CCT:</b>	3000K	<b>Efi:</b>	A++..A	<b>Shade:</b>	No
<b>Lm:</b>	432.01	<b>Ra:</b>	82.3	<b>Shrink wrap:</b>	No
<b>Class:</b>	III	<b>Bulk:</b>	No	<b>Applied Standard:</b>	CE / LVD
<b>IP:</b>	20	<b>McAdam:</b>	1.9	<b>Power:</b>	7.8W

**PACKAGING DETAILS**

	Individual Box	Outer Box	Master Box
<b>Type:</b>	MDC-MARRON / BROWN	MDC - MARRON / BROWN	
<b>Units:</b>	1.00	5.00	0.00
<b>Measures:</b>	0465-0450-0055	0480-0470-0310	_____
<b>Gross Weight (kg):</b>	2.57	13.80	-
<b>CTN 40°:</b>	4.003,00		

**OBSERVATIONS**

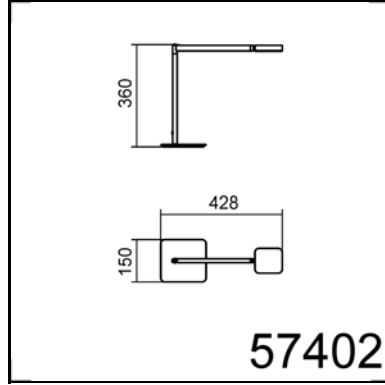
---

---

---

---

---



**TECHNICAL DATA N°** 2.561 - 574029709

**LAMP INFO**

<b>Description:</b>	LAMP MESA FINESS, LED6W (níquel mate)		
<b>Mark:</b>	20001 TL Table Lamp		
<b>Reference:</b>	574029709		
<b>Provisional Ref.:</b>			
<b>Range:</b>	57400 FINESS		
<b>Code EAN:</b>	8421797740290		
<b>Measures (mm):</b>	0364-0150-0428	<b>Weight (kg):</b>	1.98

**TECHNICAL INFO**

<b>Lampholder/Watts:</b>	LED 6W	<b>Switch:</b>	Touch	<b>Transformer:</b>	Yes
<b>Bulb included:</b>	Yes - COB	<b>Dimmer:</b>	Yes	<b>Voltage/Frequence:</b>	DC 12V - 0.5A
<b>CCT:</b>	3000K	<b>Efi:</b>	A++..A	<b>Shade:</b>	No
<b>Lm:</b>	432.01	<b>Ra:</b>	82.3	<b>Shrink wrap:</b>	No
<b>Class:</b>	III	<b>Bulk:</b>	No	<b>Applied Standard:</b>	CE / LVD
<b>IP:</b>	20	<b>McAdam:</b>	1.9	<b>Power:</b>	7.8W

**PACKAGING DETAILS**

	Individual Box	Outer Box	Master Box
<b>Type:</b>	MDC-MARRON / BROWN	MDC - MARRON / BROWN	
<b>Units:</b>	1.00	5.00	0.00
<b>Measures:</b>	0465-0450-0055	0480-0470-0310	_____
<b>Gross Weight (kg):</b>	2.57	13.80	-
<b>CTN 40°:</b>	4.003,00		

**OBSERVATIONS**
